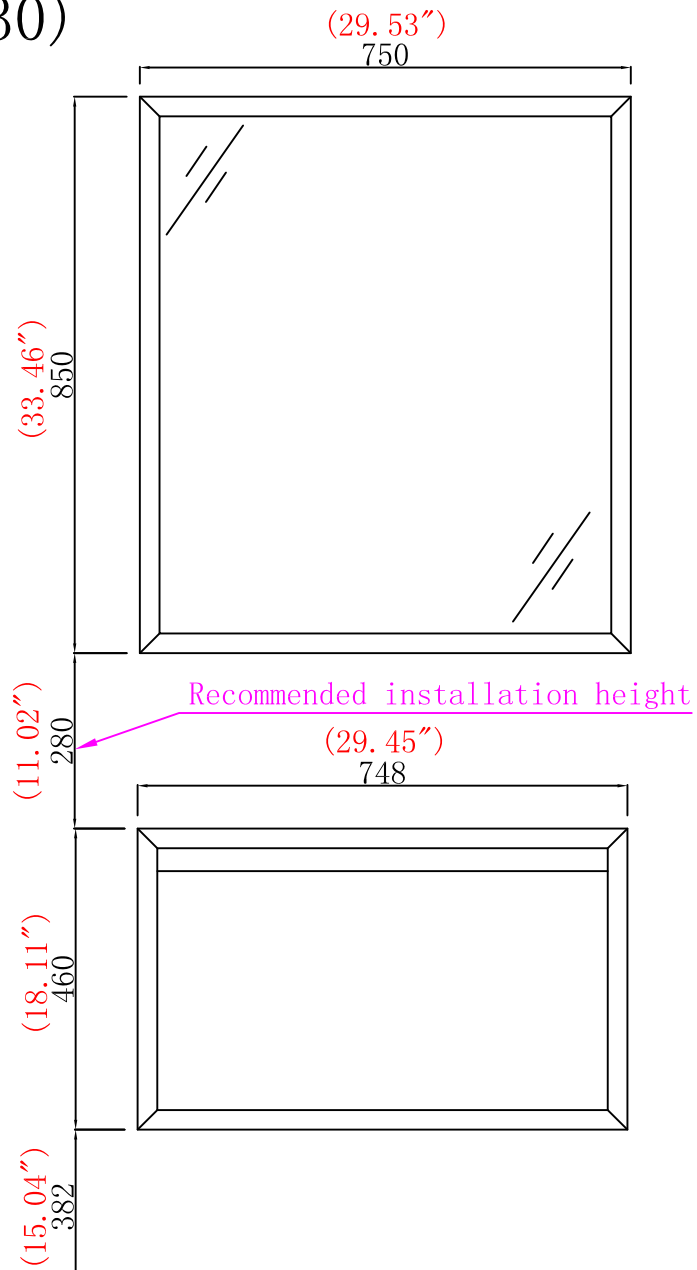




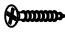



Item No. :UR30 (URM30)

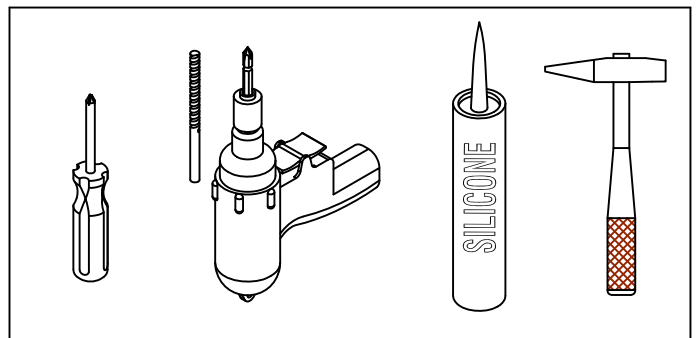
FLOOR



## Hardware

NO.	Draw	QTY
A		2
B		2
C		2
D		4
F	 (3.5*60)	4
G	 (3.5*14)	8

## Tools



Step 1

WALL

(22.68")  
576

(27.17")  
690

(27.17")  
690

(17.99")  
457

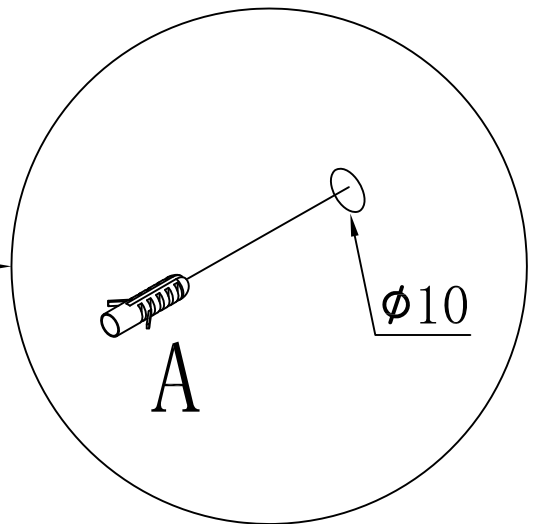
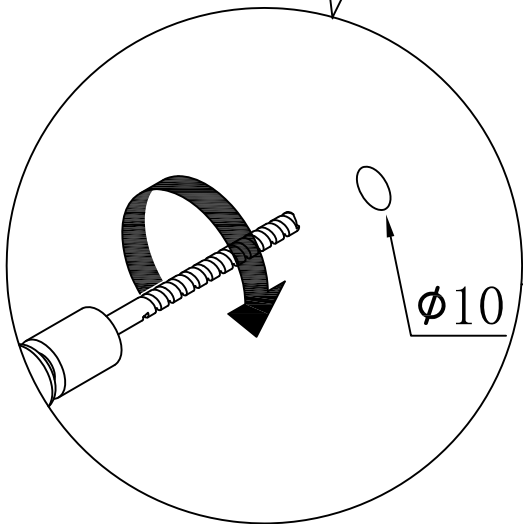
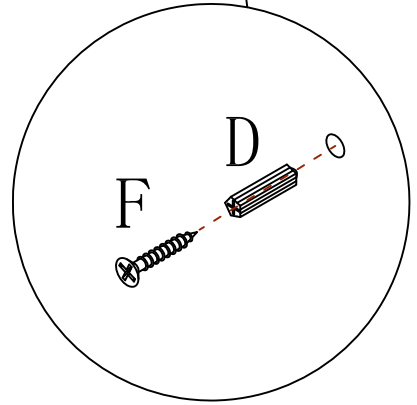
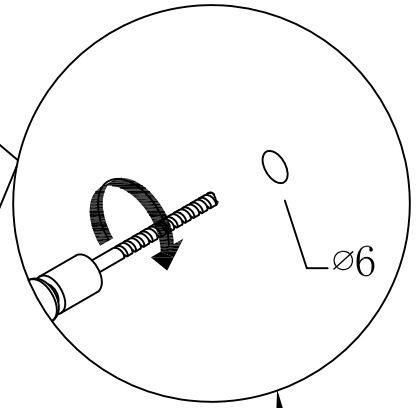
(25.12")  
638

319

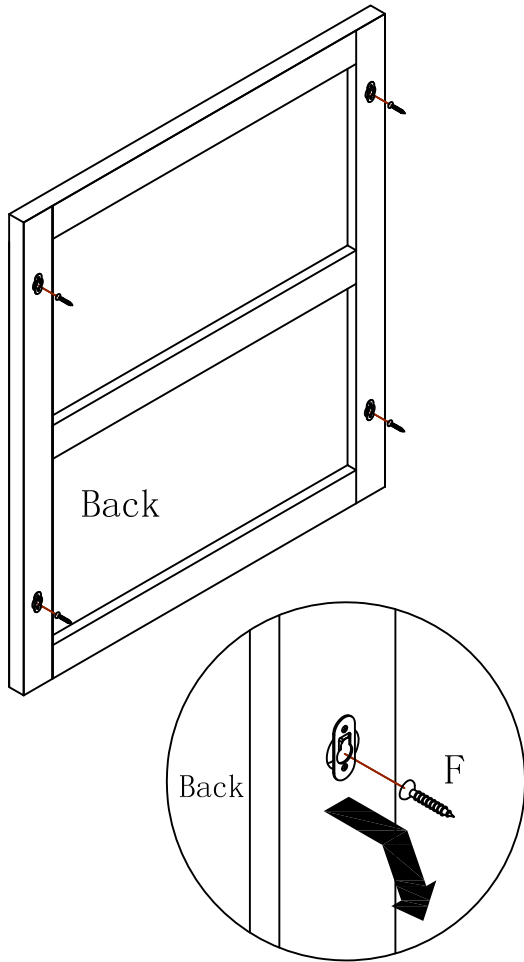
319

(31.57")  
802

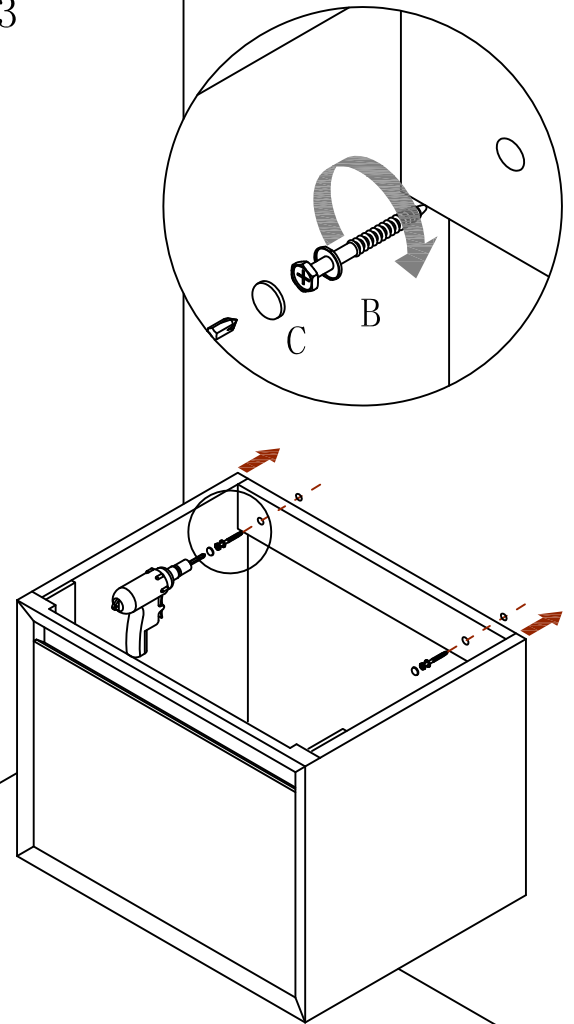
FLOOR



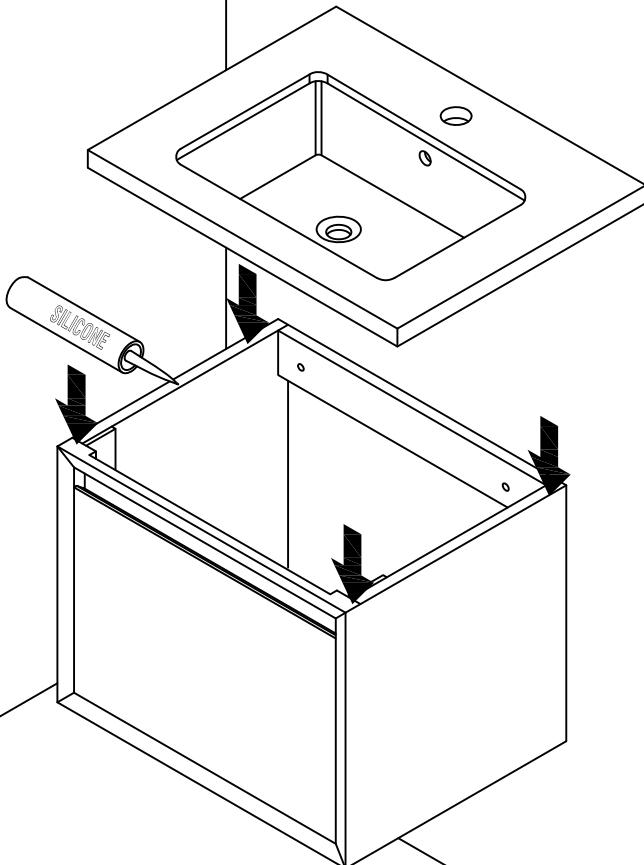
Step 2



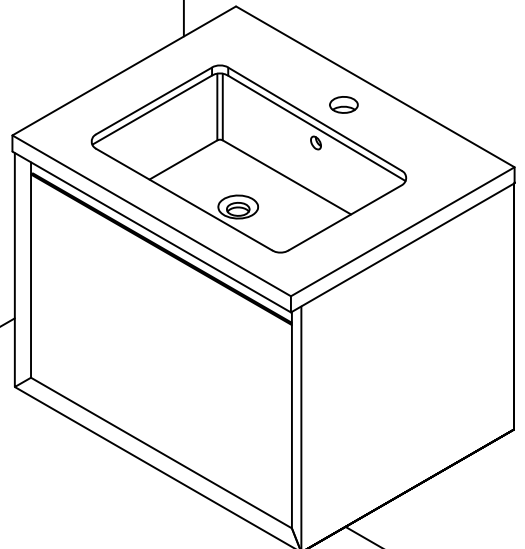
Step 3



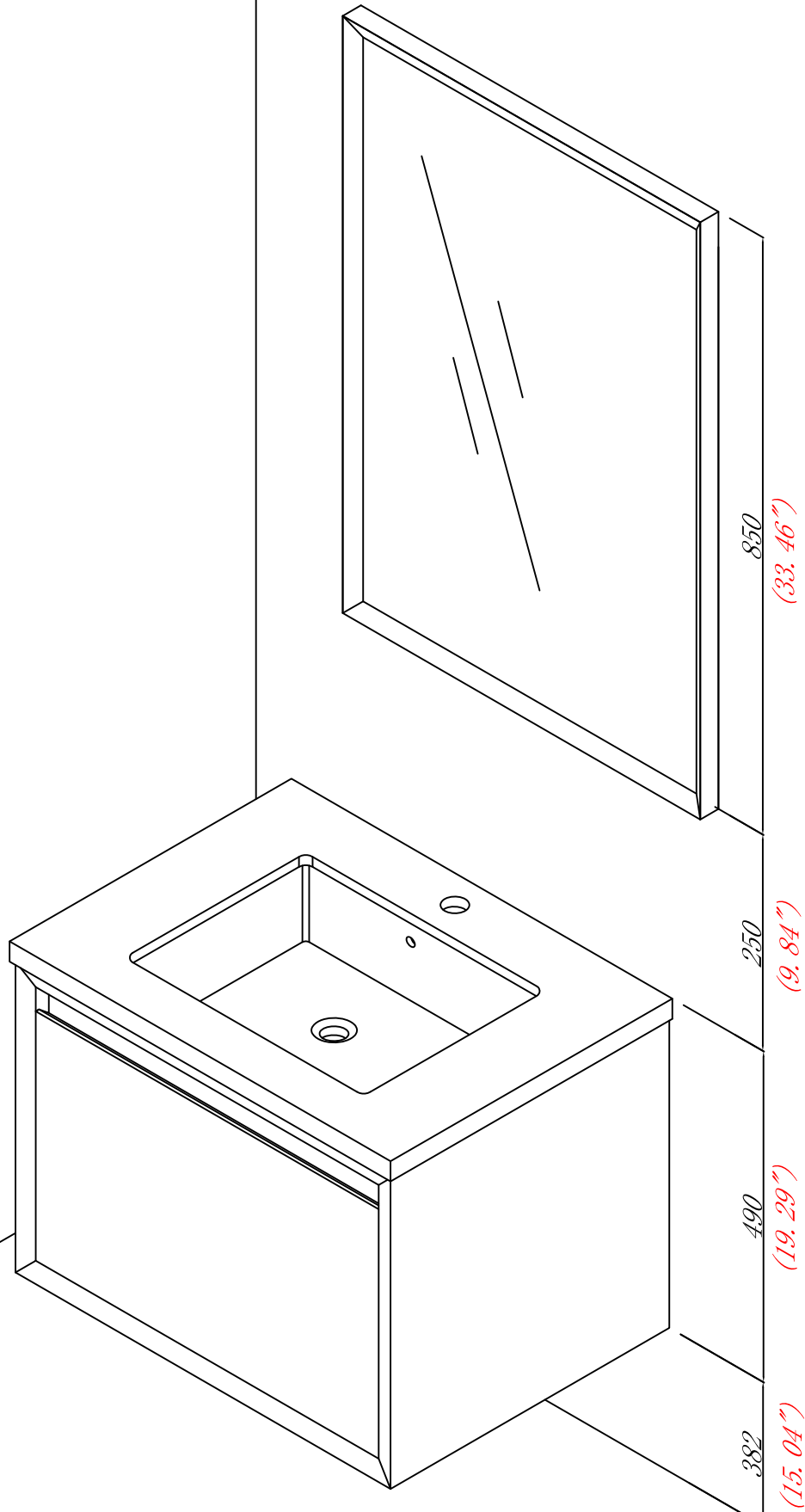
Step 4



Step 5



Finished



# Black Metal Legs Installation Instruction

